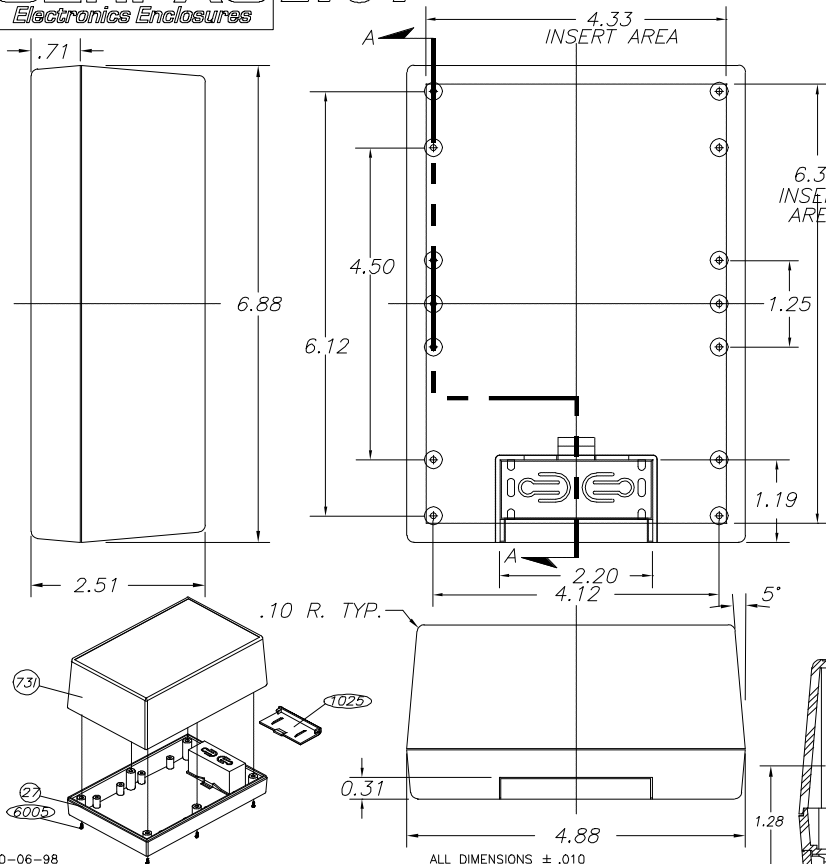
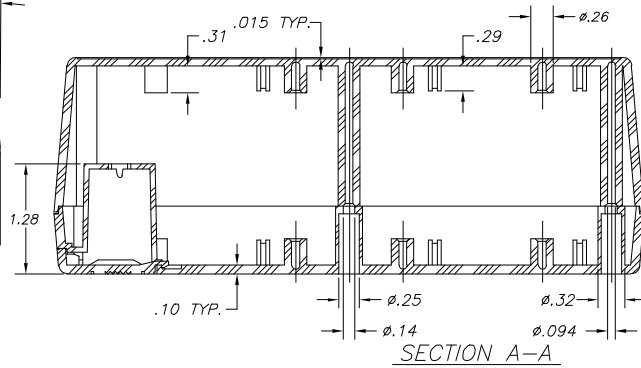
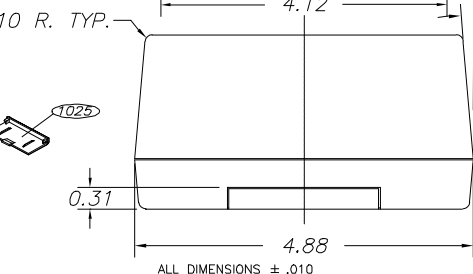
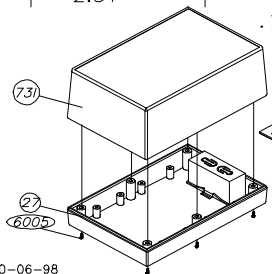
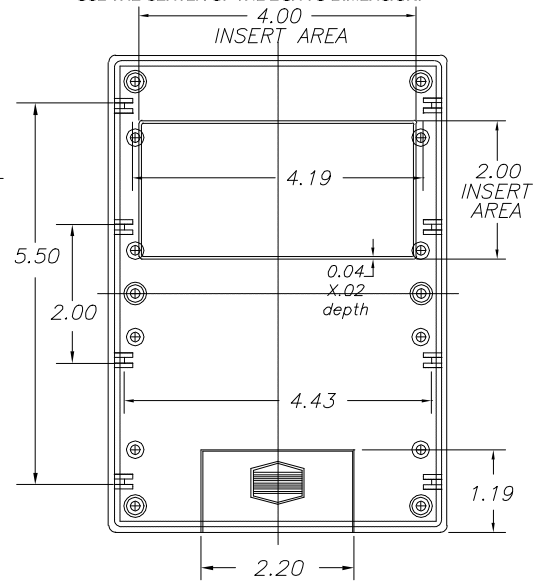


# SERPAC 273-1

Electronics Enclosures



**NOTES:**  
 1. WHEN MACHINE OR I PLATES MODIFICATIONS ARE REQUIRED, USE THE CENTER OF THE BOX TO DIMENSION.



10-06-98

ALL DIMENSIONS ± .010

PART NO.	DESCRIPTION	PART NO.	DESCRIPTION
731	PLASTIC TOP	379	PROTOTYPE GRID BOARD (HORIZ.)
27	PLASTIC BOTTOM	479	PROTOTYPE CLAD BOARD (HORIZ.)
1025	PLASTIC BATTERY COVER	373	PROTOTYPE GRID BOARD (VERT.)
6005	SCREWS (6)	473	PROTOTYPE CLAD BOARD (VERT.)